

Harbor Freight 8750 watt portable generator: ELECTRICAL SETUP ERROR

Hello HF, I have many of your products and 5 of your 6.5 and 12 HP engines.

I recently bought your 8750 Watt Portable generator. Today I set it up and got it running well.

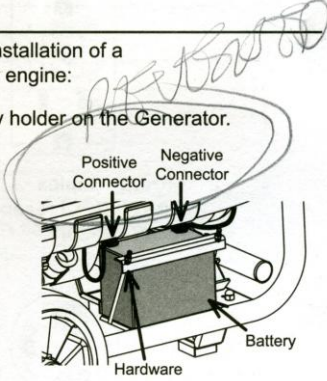
However there is a very serious mistake in the "Battery Setup Instructions" See next photo:

SETUP

Battery Setup Instructions

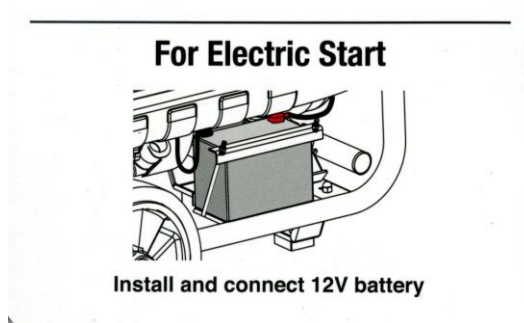
All generators can be started using the recoil method. This Generator requires installation of a battery to operate the electric start feature. Connect the battery to the Generator engine:

1. Place a fully charged, lead-acid 12V, 9Ah battery (not included) in the battery holder on the Generator.
2. Bolt in place using the hardware included with the Generator.
3. Attach the positive (red) cable connector from the engine to the Positive Terminal on the battery. Connect cable securely to prevent disconnection and short circuits.
4. Attach the negative (black) cable connector to the negative battery terminal.



The battery mounts with the electrical connections in towards the motor, with the mounting bracket towards the outside as in the photo.

BUT THE BATTERY POLARITY IS THE OPPOSITE OF WHAT YOU SHOW! Customers may install the battery with the wrong polarity, causing damage. The Positive battery terminal is to the RIGHT not the left. See your "Quick Start Guide" which correctly shows the (red) positive connection to the RIGHT. (Photo)



It is VERY difficult to connect the supplied battery cables to the battery and then install it. I had to temporarily disconnect the negative battery cable from the generator ground to accomplish it.

I'm, OK because I understand how this is supposed to work and my unit starts and runs and charges the battery fine. But I am concerned that many customers may have a real problem and be confused by the contradictory illustrations and directions. Let me know if I can help in any other way.

Regards, F. Terence King

...In The Woods in Vermont, USA terry@terryking.us